

## SFS Group Fastening Technology Ltd

Unit A  
City Park  
Watchmead, Welwyn Garden City  
Hertfordshire AL7 1LT

Tel: 0330 555 888

e-mail: info-nvelope@sfs.com

website: uk.sfs.com



**Agrement Certificate**

**19/5671**

Product Sheet 1

### NVELOPE RAINSCREEN SYSTEMS

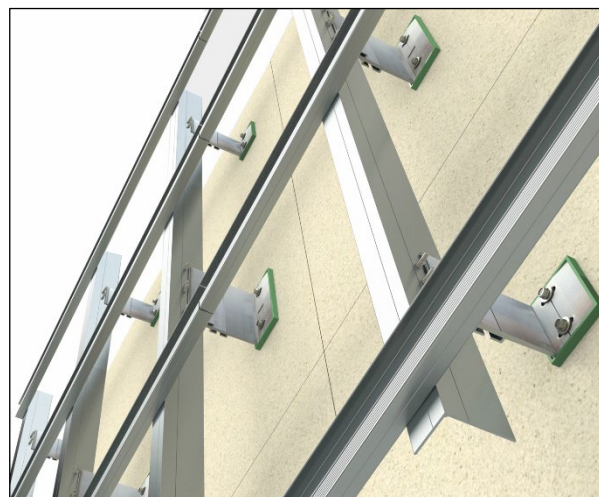
### NVELOPE NV RAINSCREEN CLADDING SUPPORT SYSTEMS

This Agrément Certificate Product Sheet<sup>(1)</sup> relates to Nvelope NV Rainscreen Cladding Support Systems, for use as a sub-frame to support cladding on the external or internal wall structure of new or existing buildings.

(1) Hereinafter referred to as 'Certificate'.

#### CERTIFICATION INCLUDES:

- factors relating to compliance with Building Regulations where applicable
- factors relating to additional non-regulatory information where applicable
- independently verified technical specification
- assessment criteria and technical investigations
- design considerations
- installation guidance
- regular surveillance of production
- formal three-yearly review.



#### KEY FACTORS ASSESSED

**Mechanical resistance and stability** — the systems can be designed to support the cladding and to transfer the design loads to the substrate wall structure safely (see section 6).

**Behaviour in relation to fire** — the systems (fixings, brackets, rails, carriers and adaptors) have an A1 reaction to fire classification in accordance with the national Building Regulations (see section 7).

**Drainage and ventilation** — provided correct details are adopted, the systems can provide adequate drainage and ventilation behind the cladding (see section 8).

**Durability** — the systems will have a service life in excess of 35 years (see section 10).

The BBA has awarded this Certificate to the company named above for the systems described herein. These systems have been assessed by the BBA as being fit for their intended use provided they are installed, used and maintained as set out in this Certificate.

On behalf of the British Board of Agrément

Date of Second issue: 9 March 2021



Hardy Giesler  
Chief Executive Officer

*Certificate amended on 27 January 2022 to update section 3.1, performance figures in Tables 1 to 4 and headings in Tables 5 and 6.  
Certificate amended on 23 May 2022 to update company contact details.*

*The BBA is a UKAS accredited certification body – Number 113.*

*The schedule of the current scope of accreditation for product certification is available in pdf format via the UKAS link on the BBA website at [www.bbacerts.co.uk](http://www.bbacerts.co.uk)  
Readers MUST check the validity and latest issue number of this Agrément Certificate by either referring to the BBA website or contacting the BBA directly.*

*Any photographs are for illustrative purposes only, do not constitute advice and should not be relied upon.*

#### British Board of Agrément

Bucknalls Lane  
Watford  
Herts WD25 9BA

tel: 01923 665300  
[clientservices@bbacerts.co.uk](mailto:clientservices@bbacerts.co.uk)  
[www.bbacerts.co.uk](http://www.bbacerts.co.uk)

©2021

## Regulations

In the opinion of the BBA, Nvelope NV Rainscreen Cladding Support Systems, if installed, used and maintained in accordance with this Certificate, can satisfy or contribute to satisfying the relevant requirements of the following Building Regulations (the presence of a UK map indicates that the subject is related to the Building Regulations in the region or regions of the UK depicted):



### The Building Regulations 2010 (England and Wales) (as amended)

<b>Requirement:</b>	<b>A1</b>	<b>Loading</b>
Comment:		The systems can be designed to adequately transfer the design loads from the cladding to the substrate wall structure. See section 6.1 to 6.12 of this Certificate.
<b>Requirement:</b>	<b>B4(1)</b>	<b>External fire spread</b>
Comment:		The systems are unrestricted by this Requirement. See sections 7.1 and 7.2 of this Certificate.
<b>Regulation:</b>	<b>7(1)</b>	<b>Materials and workmanship</b>
Comment:		The systems are acceptable. See section 10.1 and the <i>Installation</i> part of this Certificate.
<b>Regulation:</b>	<b>7(2)</b>	<b>Materials and workmanship</b>
Comment:		The systems are unrestricted by this Regulation. See sections 7.1 and 7.2 of this Certificate.



### The Building (Scotland) Regulations 2004 (as amended)

<b>Regulation:</b>	<b>8(1)</b>	<b>Durability, workmanship and fitness of materials</b>
Comment:		The systems are acceptable. See section 10.1 and the <i>Installation</i> part of this Certificate.
<b>Regulation:</b>	<b>9</b>	<b>Building standards applicable to construction</b>
Standard:	1.1(a)(b)	Structure
Comment:		The systems can be designed to adequately transfer the design loads from the cladding to the substrate wall structure, with reference to clause 1.1.1 <sup>(1)(2)</sup> of this Standard. See section 6.1 to 6.12 of this Certificate.
Standard:	2.6	Spread to neighbouring buildings
Comment:		The systems are unrestricted by this Standard with respect to clauses 2.6.4 <sup>(1)(2)</sup> , 2.6.5 <sup>(1)</sup> and 2.6.6 <sup>(2)</sup> . See sections 7.1 and 7.2 of this Certificate.
Standard:	2.7	Spread on external walls
Comment:		The panels are unrestricted by this Standard with respect to clauses 2.7.1 <sup>(1)(2)</sup> . See sections 7.1 and 7.2 of this Certificate.
Standard:	7.1(a)	Statement of sustainability
Comment:		The systems can contribute to meeting the relevant Requirements of Regulation 9, Standards 1 to 6, and therefore will contribute to a construction meeting a bronze level of sustainability as defined in this Standard.

(1) Technical Handbook (Domestic).

(2) Technical Handbook (Non-Domestic).



### The Building Regulations (Northern Ireland) 2012 (as amended)

<b>Regulation:</b>	<b>23</b>	<b>Fitness of materials and workmanship</b>
Comment:		The systems are acceptable. See section 10.1 and the <i>Installation</i> part of this Certificate.

<b>Regulation:</b>	<b>30</b>	<b>Stability</b>
Comment:		The systems can be designed to adequately transfer the design loads from the cladding to the substrate wall structure. See section 6.1 to 6.12 of this Certificate.
<b>Regulation:</b>	<b>36(a)</b>	<b>External fire spread</b>
Comment:		The systems are unrestricted by this Regulation. See sections 7.1 and 7.2 of this Certificate.

## Construction (Design and Management) Regulations 2015 Construction (Design and Management) Regulations (Northern Ireland) 2016

Information in this Certificate may assist the client, designer (including Principal Designer) and contractor (including Principal Contractor) to address their obligations under these Regulations.

See section: 3 *Delivery and site handling* (3.2 and 3.6) of this Certificate.

### Additional Information

#### NHBC Standards 2021

In the opinion of the BBA, Nvelope NV Rainscreen Cladding Support Systems, if installed, used and maintained in accordance with this Certificate, can satisfy or contribute to satisfying the relevant requirements in relation to *NHBC Standards, Part 6 Superstructure (excluding roofs)*, Chapter 6.9 *Curtain walling and cladding*, Clauses 6.9.4 *Loads*, 6.9.5 *Supports and fixings*, and 6.9.6 *Durability*.

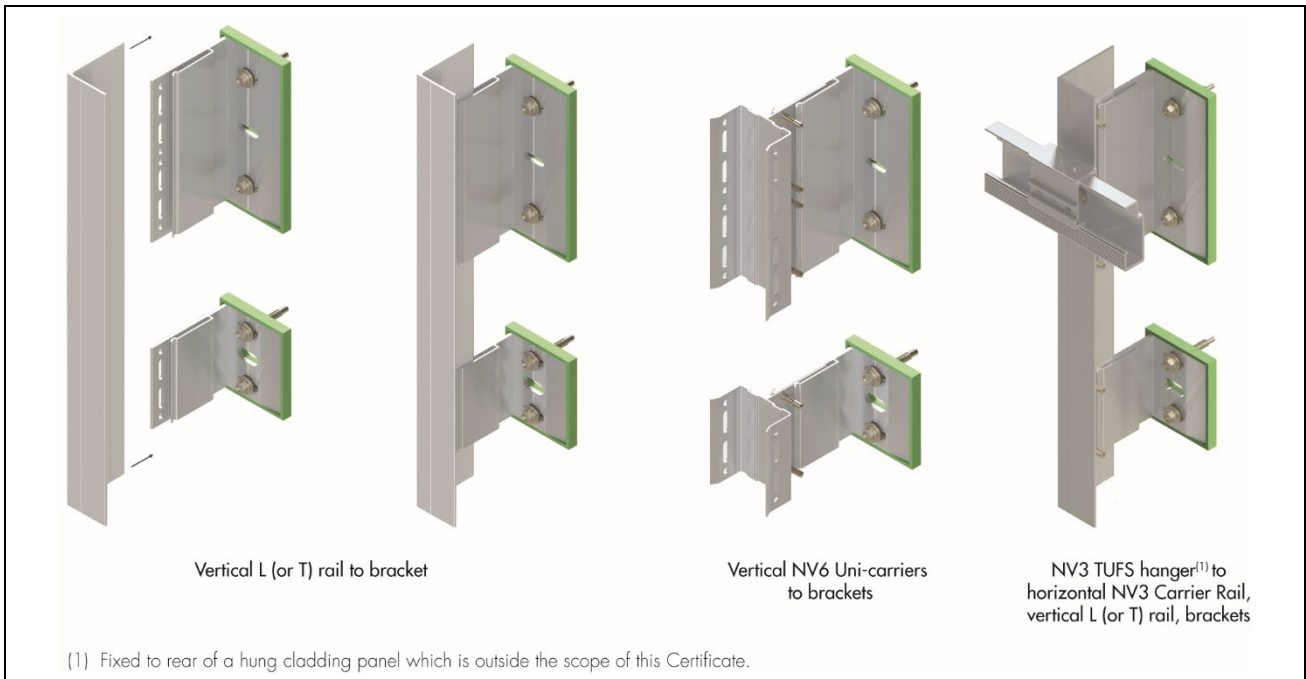
### Technical Specification

#### 1 Description

1.1 Nvelope NV Rainscreen Cladding Support Systems are attached to the external or internal wall structure of buildings (see Figure 1) and consist of:

- NV Brackets — fitted to the substrate using appropriate fixings (outside the scope of this Certificate). There are four bracket variants, single or double height, available in either aluminium or stainless steel:
  - single brackets have a height of 75 mm. They are supplied with two base holes of 22 mm x 6.5 mm and a central base hole which is 22 mm x 11 mm
  - double brackets have a height of 150 mm. They are supplied with base hole-diameter sizes of either 22 mm x 11 mm (for masonry / concrete substrates) or 22 mm x 6.5 mm (for steelwork / timber substrates)
  - aluminium brackets have a thickness range of 2.8 to 5.3 mm, with a standard foot width of 62 mm
  - aluminium brackets feature a 5 mm thick polypropylene isolator/thermal break (insulating properties outside the scope of this Certificate) fitted to the foot
  - aluminium brackets can be ordered with anodised or polyester powder coated finishes (outside the scope of this certificate). Further advice can be provided by the Certificate holder
  - stainless steel brackets have a thickness 2.5 mm, with a standard foot width of 45 mm
- NH2 Adaptor — an adaptor, slotted upright into the vertical bracket, with the adaptor 'helping hands' orientated over the top of the vertical bracket (see Figure 3). The 'helping hands' of the adaptor are then ready to receive an L or T rail in the horizontal orientation
- Nvelope L and T Rails — rails of 'L' and 'T' profile with a 2.2 mm thickness and the dimensions shown in Figure 2, fixed to the NV Brackets using self-drilling screws, which provide a fixing area for the cladding panels. Rails are uncoated as standard. Rails can be ordered with anodised or polyester powder coated finishes (outside the scope of this certificate). Further advice can be provided by the Certificate holder
- NV3 System — consisting of the NV3 Horizontal Rail and the associated NV3 TUFs hanger components, with details as shown in Figures 1 and 4
- Nvelope NV6 Uni-Carriers — vertical 'U' section profiles, fixed to the NV Brackets using self-drilling screws (see Figure 2), used to support timber battens to which cladding panels can be fixed. Four variants of carrier are available, with widths of 50 or 100 mm, and heights of 75 or 150 mm.

Figure 1 Typical rail/bracket arrangement



1.2 The components (see Figure 2) are manufactured from aluminium alloy, to a minimum grade of EN AW 6005A T6 to BS EN 573-3 : 2019, with the exception of:

- Nvelope stainless steel NVS brackets, which are manufactured from stainless steel, minimum grade 316L 2B (1.4404) to BS EN 10088-2 : 2014
- Nvelope NV6 Uni-Carriers, which are manufactured from aluminium alloy to a minimum grade of EN AW 6063 T66 to BS EN 573-3 : 2019
- Isolator/thermal breaks, which are manufactured from green injection moulded polypropylene.

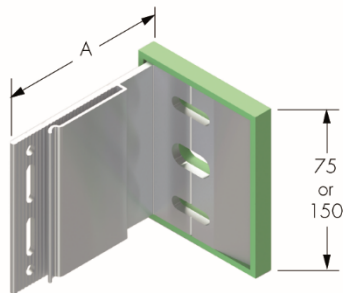
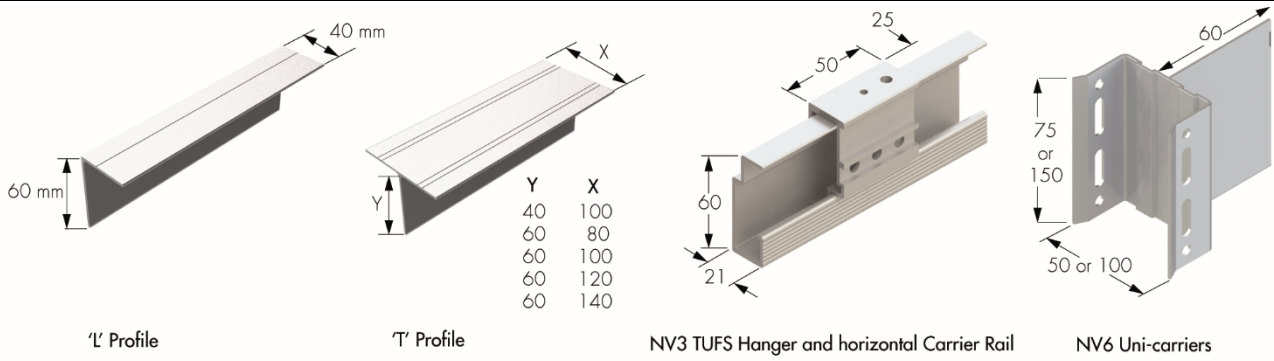
1.3 The components have the characteristics described in Tables 1 to 6 (see section 6 of this Certificate).

1.4 The brackets are fixed to the substrate wall structure using stainless steel anchors of a predetermined size. The support rails are secured to the brackets using stainless steel screws as specified in Figure 2.

1.5 Components specified for use with the systems, recommended by the Certificate holder but outside the scope of this Certificate, include:

- 10 mm Diameter Primary Fixing — a plastic anchor consisting of a plastic sleeve made of polyamide and an accompanied specific screw of stainless steel, used as primary fixing to concrete, block work and brick substrate walls
- SX5 Fastening Screws — self-drilling and self-tapping screws made of austenitic stainless steel grade A4 with a washer made of aluminium, or stainless steel A4 with vulcanised EPDM sealant, used as primary fixing to steel frame
- SDA5 Fastening Screws — stainless steel screws grade A4, used as NV3 Horizontal Rail to vertical L or T rail fixings and for fixing rails to brackets
- breather membrane – in line with BS 5250 : 2011
- insulation
- cavity
- cavity barriers
- external cladding (and fixings).

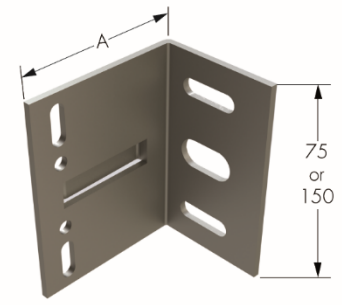
Figure 2 Component details



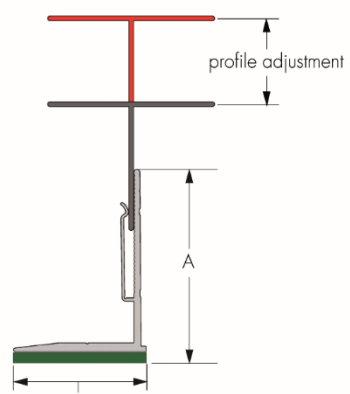
aluminium bracket and isolation pad

Bracket leg length (A)

aluminium	stainless steel
40	-
60	60
90	90
120	120
150	150
180	180
210	210
240	240
270	-
300	-

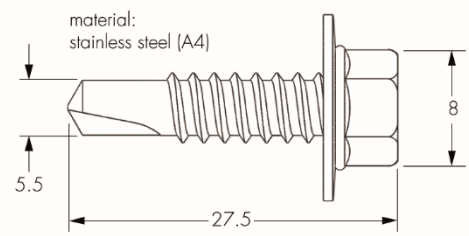


stainless steel bracket



Bracket foot width: 62 (aluminium) or 45 (stainless steel)

projection range



self-drill screw - SDA5 fastening screws

all dimensions in mm  
 (not to scale)

Figure 3 NH2 Adaptor

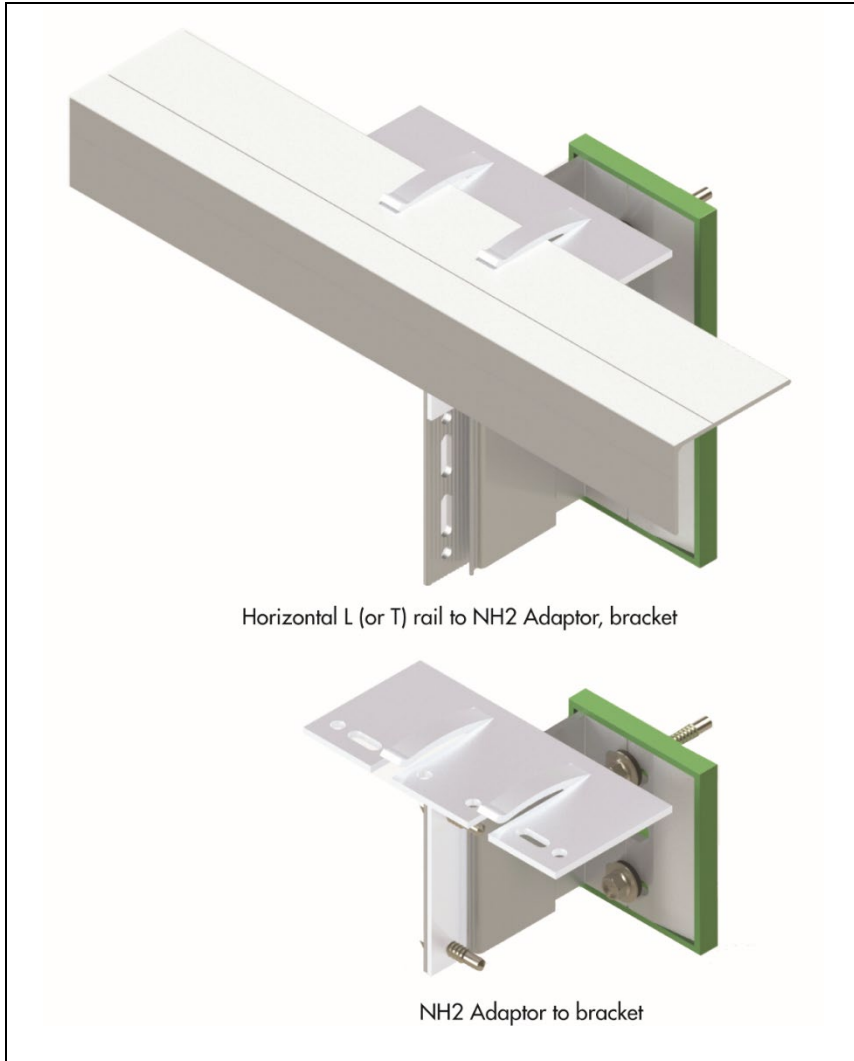
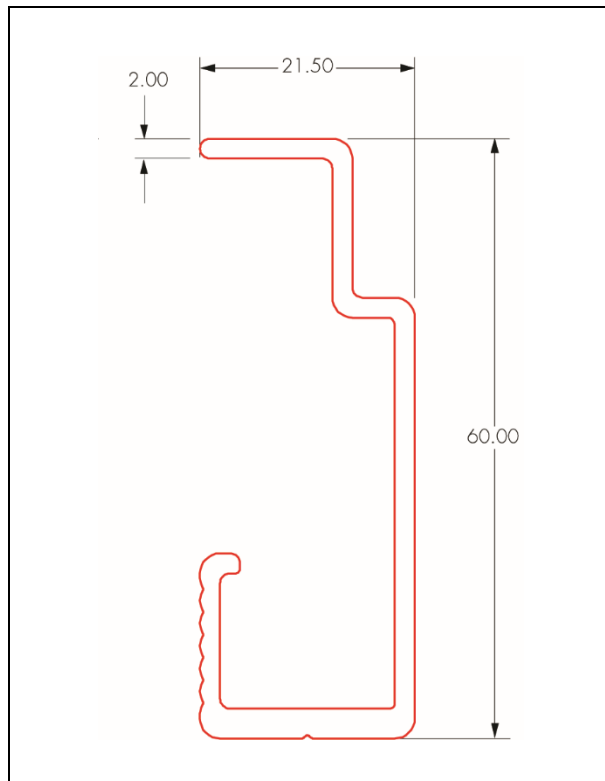


Figure 4 NV3 Horizontal Rail (all dimensions in mm)



## 2 Manufacture

2.1 The components are manufactured from extruded sections of aluminium alloy with the exception of:

- isolator/thermal breaks which are made from green injection moulded polypropylene
- stainless steel NVS brackets which are stamped/pressed and folded from sheet stainless steel.

2.2 As part of the assessment and ongoing surveillance of product quality, the BBA has:

- agreed with the manufacturer the quality control procedures and product testing to be undertaken
- assessed and agreed the quality control operated over batches of incoming materials
- monitored the production process and verified that it is in accordance with the documented process
- evaluated the process for management of nonconformities
- checked that equipment has been properly tested and calibrated
- undertaken to carry out the above measures on a regular basis through a surveillance process, to verify that the specifications and quality control operated by the manufacturer are being maintained.

2.3 The manufacturer's management systems have been assessed and registered as meeting the requirements of BS EN ISO 9001 : 2015.

## 3 Delivery and site handling

3.1 The aluminium rails are wrapped on pallets. Every pallet carries a label bearing the manufacturer's name.

3.2 Packs of rails should be stacked horizontally, on sufficient bearers to prevent distortion, to a maximum height of one metre. Other components should be stored safely until ready for use.

3.3 The pallets should be stored on a dry, flat and level surface, suitably protected from the weather. Ancillary items should be stored in separate boxes.

3.4 The brackets are delivered to site in cartons of a size suitable for manual handling. Isolation pads, when required, are supplied attached to the base of the aluminium brackets. The cartons are palletted and shrink-wrapped.

3.5 The system components should be handled with care. Damaged items should be discarded.

3.6 Protective clothing should be worn, as required, and all health and safety regulations observed. Care should be taken when handling long lengths of rail, especially at height.

## Assessment and Technical Investigations

The following is a summary of the assessment and technical investigations carried out on Nvelope NV Rainscreen Cladding Support Systems.

## Design Considerations

## 4 Use

4.1 Nvelope Rainscreen Cladding Support Systems, when installed in accordance with this Certificate, are satisfactory for use in back-ventilated and drained cavity rainscreen cladding systems, as well as for internal cladding systems as a sub-frame to support cladding on the external or internal wall structure, of new and existing buildings.

4.2 The systems are applied to the outside of the external or internal wall structures of new or existing buildings. Application must be carried out strictly in accordance with this Certificate and the Certificate holder's instructions, by cladding contractors who are suitably qualified. Further advice can be provided by the Certificate holder.

4.3 The substrate wall to which the systems are to be fixed must be structurally sound, watertight and satisfy the requirements of the relevant national Building Regulations and Standards with respect to heat and sound transmission.

4.4 It is important for designers, planners, contractors and/or installers to ensure that the systems and the substrate wall have adequate structural capacity to support cladding panels in accordance with the design and installation requirements of the cladding panel supplier.

## 5 Practicability of installation

The systems are designed to be installed by cladding contractors who are suitably qualified. Further advice can be provided by the Certificate holder.

## 6 Mechanical resistance and stability



6.1 The substrate wall to which the cladding components are to be fixed should be designed and constructed in accordance with the requirements of the relevant national Building Regulations and Standards.

6.2 Assessment of structural performance of the systems for individual buildings must be carried out by a designer or a suitably qualified and experienced individual to ensure that:

- the support systems and cladding to be supported are compatible
- any thermal expansion effects of both the support systems and the cladding to be supported are taken into account in the design and detailing.
- the specified fixings have adequate tensile and pull-out strength to resist the applied actions
- the fixing of the support brackets to the supporting wall has adequate tensile, shear and pull-out strength, and corrosion resistance (outside the scope of this Certificate). An appropriate number of site-specific pull-out tests must be conducted on the substrate wall to determine the minimum pull-out resistance to failure of the fixings. The characteristic pull-out resistance should be determined in accordance with the guidance given in EOTA TR055 : 2018, using 50% of the mean value of the five smallest measured values at the ultimate load
- fixing of the support brackets to the supporting wall (outside the scope of this Certificate) has adequate corrosion resistance.

6.3 The supporting wall must be able to resist the gravity load from the self-weight of the cladding, the wind actions and any racking loads, on its own. No contribution from the cladding system may be assumed in this respect.

6.4 The wind actions on the wall should be calculated in accordance with BS EN 1991-1-4 : 2005 and its UK National Annex. Due consideration should be given to the high-pressure coefficients applicable to corners of the building as recommended in this Standard. In accordance with BS EN 1990 : 2002 and its UK National Annex, it is recommended that a partial load factor of 1.5 is used to determine the ultimate wind load to be resisted by the systems.

6.5 A combination of horizontal and vertical actions must be checked by an appropriately qualified design engineer, in accordance with BS EN 1999-1-1 : 2007 and BS EN 1999-1-3 : 2007, and their UK National Annexes, in conjunction with BS EN 1990 : 2002 and all relevant standard parts and its corresponding UK National Annex.

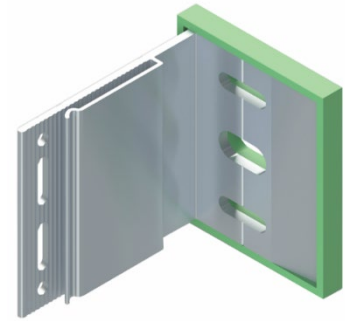
6.6 For combined loads, check that  $(\text{actual vertical load} / \text{allowable vertical load}) + (\text{actual horizontal load} / \text{allowable horizontal load}) \leq 1.0$ , in line with BS EN 1999-1-1 : 2007 for aluminium NV brackets and BS EN 1993-1-4 : 2006 for stainless steel NVS brackets.

6.7 Details of the brackets, NH2 Adaptor and NV6 Uni-Carriers, with their design loadbearing resistances, are shown in Tables 1 to 6. The design loadbearing resistance of the connections should be greater than that of the bracket and adaptor as tabulated.



**Table 1 Aluminium NV Bracket — single (75 mm) — design resistances (for bracket out-stand leg)**

Bracket leg length (A) <sup>(1)</sup> (mm)	Projection range <sup>(2)</sup> (mm)	Code	Design resistance (kN) <sup>(3)(4)</sup>	
			Vertical (shear)	Horizontal (compression)
40	47 – 67	NV-VB040S	2.45	5.35
60	62 – 102	NV-VB060S	1.34	3.83
90	92 – 132	NV-VB090S	1.11	2.94
120	122 – 162	NV-VB120S	0.98 <sup>(5)</sup>	2.23 <sup>(5)</sup>
150	152 – 192	NV-VB150S	0.84 <sup>(5)</sup>	1.78 <sup>(5)</sup>
180	182 – 222	NV-VB180S	0.67	1.43 <sup>(5)</sup>
210	212 – 252	NV-VB210S	0.54	1.25
240	242 – 282	NV-VB240S	0.45	1.16
270	272 – 312	NV-VB270S	0.36	1.07 <sup>(5)</sup>
300	302 – 342	NV-VB300S	0.22	0.98



- (1) Includes isolator/thermal break (See Figure 2).  
 (2) Distance between back face of isolator pad to face of rail profile (see Figure 2).  
 (3) Unfactored loads limited to lower of tested ULS or 10 mm maximum deflection.  
 (4) Partial material factor of 1.1 applied in line with BS EN 1999-1-1 : 2007 and its national annex.  
 (5) Unfactored load has been rationalised by Certificate holder to less than actual test performance.

**Table 2 Aluminium NV Bracket — double (150 mm) — design resistances (for bracket out-stand leg)**

Bracket leg length (A) <sup>(1)</sup> (mm)	Projection range <sup>(2)</sup> (mm)	Code <sup>(3)</sup>	Design resistance (kN) <sup>(4)(5)</sup>	
			Vertical (shear)	Horizontal (compression)
40	47 – 67	NV-VB040D	3.57	8.03
60	62 – 102	NV-VB060D	3.34	5.80
90	92 – 132	NV-VB090D	2.68	4.99
120	122 – 162	NV-VB120D	1.56 <sup>(6)</sup>	4.61 <sup>(6)</sup>
150	152 – 192	NV-VB150D	1.21 <sup>(6)</sup>	4.19 <sup>(6)</sup>
180	182 – 222	NV-VB180D	0.75 <sup>(6)</sup>	3.57
210	212 – 252	NV-VB210D	0.66 <sup>(6)</sup>	2.94
240	242 – 282	NV-VB240D	0.58 <sup>(6)</sup>	2.59
270	272 – 312	NV-VB270D	0.48 <sup>(6)</sup>	2.32
300	302 – 342	NV-VB300D	0.45 <sup>(6)</sup>	2.05



- (1) Includes isolator/thermal break (See Figure 2).  
 (2) Distance between back face of isolator pad to face of rail profile (see Figure 2).  
 (3) Bracket code suffixed with -11 (for masonry / concrete substrates), or -6.5 (for steelwork / timber substrates).  
 (4) Unfactored loads limited to lower of tested ULS or 10 mm maximum deflection.  
 (5) Partial material factor of 1.1 applied in line with BS EN 1999-1-1 : 2007 and its national annex.  
 (6) Unfactored load has been rationalised by Certificate holder to less than actual test performance.

**Table 3 Stainless Steel NVS Bracket — single (75 mm) — design resistances (for bracket out-stand leg)**

Bracket leg length (A) <sup>(1)</sup> (mm)	Projection range <sup>(2)</sup> (mm)	Code	Design resistance (kN) <sup>(3)(4)</sup>	
			Vertical (shear)	Horizontal (compression)
60	70 - 105	NVS-VB060S	9.44	5.73
90	100 - 105	NVS-VB090S	7.27	3.82
120	130 - 165	NVS-VB120S	5.55	3.73
150	160 - 195	NVS-VB150S	1.55	3.03 <sup>(5)</sup>
180	190 - 225	NVS-VB180S	1.35 <sup>(5)</sup>	2.43 <sup>(5)</sup>
210	220 - 285	NVS-VB210S	1.18	1.82 <sup>(5)</sup>
240	250 - 285	NVS-VB240S	0.55	1.21 <sup>(5)</sup>



- (1) See Figure 2.  
 (2) Distance between back face of bracket to face of rail profile (see Figure 2).  
 (3) Unfactored loads limited to lower of tested ULS or 5 mm maximum deflection.  
 (4) Partial material factor of 1.1 applied in line with BS EN 1993-1-4 : 2006 and its national annex.  
 (5) Unfactored load has been rationalised by Certificate holder to less than actual test performance.

**Table 4 Stainless Steel NVS Bracket — double (150 mm) — design resistances (for bracket out-stand leg)**

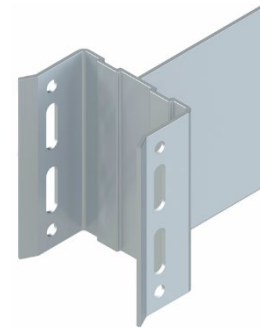
Bracket leg length (A) <sup>(1)</sup> (mm)	Projection range <sup>(2)</sup> (mm)	Code <sup>(3)</sup>	Design resistance (kN) <sup>(4)(5)</sup>	
			Vertical (shear)	Horizontal (compression)
60	70 - 105	NVS-VB060D	13.95	17.00
90	100 - 105	NVS-VB090D	12.47	4.55 <sup>(5)</sup>
120	130 - 165	NVS-VB120D	7.27	4.25 <sup>(5)</sup>
150	160 - 195	NVS-VB150D	2.69 <sup>(5)</sup>	3.64 <sup>(5)</sup>
180	190 - 225	NVS-VB180D	1.73	3.03 <sup>(5)</sup>
210	220 - 285	NVS-VB210D	1.35 <sup>(5)</sup>	2.43 <sup>(5)</sup>
240	250 - 285	NVS-VB240D	0.67 <sup>(5)</sup>	1.82 <sup>(5)</sup>



- (1) See Figure 2.  
 (2) Distance between back face of bracket to face of rail profile (see Figure 2).  
 (3) Bracket code suffixed with -11 (for masonry / concrete substrates), or -6.5 (for steelwork / timber substrates).  
 (4) Unfactored loads limited to lower of tested ULS or 5 mm maximum deflection.  
 (5) Partial material factor of 1.1 applied in line with BS EN 1993-1-4 : 2006 and its national annex.  
 (6) Unfactored load has been rationalised by Certificate holder to less than actual test performance.

**Table 5 Nvelope Uni-Carriers — design resistances**

Description	Code	Design resistance (kN)	
		Vertical (shear)	Horizontal (compression)
50 mm carrier (single)	UC050S	13.60	17.00
50 mm carrier (double)	UC050D	13.60	34.00
100 mm carrier (single)	UC100S	13.60	17.00
100 mm carrier (double)	UC100D	13.60	34.00



**Table 6 NH2 Adaptor — design resistances**

Description	Design resistance (kN)	
	Vertical (shear)	Horizontal (compression)
NH2 Adaptor	11.15	21.5

6.8 Details of the screws for connecting the support rails to the brackets are shown in Figure 2. Advice of the Certificate holder should be sought for details of fixing suppliers.

6.9 The design of the rails and associated connections must satisfy the requirements of BS EN 1999-1-1 : 2007, using the mechanical properties of the aluminium grade adopted. Mid-span deflections should be limited to span/200 and cantilever deflections limited to span/150.

6.10 To allow for deflection limits used in Tables 1 to 4, a minimum rail gap of 10 mm is recommended.

6.11 In general, the rails should be fixed at mid-length using normal clearance holes (fixed point), and allowed to expand toward the ends using slotted holes (flexible or sliding point) (see Figures 1 and 2). To allow for expansion, a minimum gap of 2.5 mm per metre length should be provided. For calculation purposes, the coefficient of thermal expansion for aluminium may be taken as  $23 \times 10^{-6} \cdot K^{-1}$ . Existing movement joints in the supporting structure should be maintained through the rail system. For standard three-metre long rails, a gap of 10 mm between adjacent rails is recommended.

6.12 The geometric properties of the rail sections (L and T rails) can be found in detail in Table 7, for use by the structural designer for the rail design.

Table 7 'L' Profile, 'T' Profile and NV3 Horizontal Rail section details

	dimension dimension		thickness (mm)	area (mm <sup>2</sup> )	Second moment of area		Product of Inertia <i>I<sub>xy</sub></i> (mm <sup>4</sup> )	Radius of gyration		Distance to centre of gravity	
	X	Y			<i>I<sub>xx</sub></i>	<i>I<sub>yy</sub></i>		Axis x-x	Axis y-y	x	y
	(mm)	(mm)			(mm <sup>4</sup> )	(mm <sup>4</sup> )		(mm)	(mm)	(mm)	(mm)
'L' Profile Rail section (see Figure 2)	40	60	2.2	203.06	89342	16201	27272	19.49	11.83	8.7	41.45
	100	40	2.2	282.16	30222	170224	0	10.35	24.56	50	33.41
'T' Profile Rail section (see Figure 2)	80	60	2.2	279.20	90935	86981	0	18.05	17.65	40	46.31
	100	60	2.2	320.38	96058	170236	0	17.32	23.05	50	47.91
	120	60	2.2	371.64	103634	298372	0	16.70	28.33	60	49.14
	140	60	2.2	413.72	106966	474532	0	16.08	33.87	70	50.13
NV3 Horizontal Rail section (see Figure 4)	22	60	2	229	110114	13206	3766	21.1	7.4	8.4	24.6

6.13 The design and the installation must be checked by a suitably qualified chartered engineer or other appropriately qualified person.

6.14 Any insulation behind the cladding must be suitably fixed to the supporting wall and protected, to resist the forces of wind suction. Insulation should be, at least, of the semi-rigid type (eg boards or batts).

### Impact loading

6.15 The impact resistance of a cladding system is a function of the support framing arrangement and the cladding panel used. The structural engineer should ensure that the cladding system incorporating the Nvelope Rainscreen Cladding Support Systems has adequate impact resistance for the support frame arrangement and cladding panels used, for the intended use category as defined in EAD 090062-00-0404 : 2018, Table G.2, which is reproduced (in part) in Table 8 of this Certificate.

Table 8 Definition of impact use categories (reproduced from EAD 090062-00-0404 : 2018)

Use Category	Description
I	A zone readily accessible at ground level to the public and vulnerable to hard body impacts but not subjected to abnormally rough use.
II	A zone liable to impacts from thrown or kicked objects, but in public locations where the height of the kit will limit the size of the impact; or at lower levels where access to the building is primarily to those with some incentive to exercise care.
III	A zone not likely to be damaged by normal impacts caused by people or by thrown or kicked objects.
IV	A zone out of reach from ground level.

## 7 Behaviour in relation to fire



7.1 The stainless steel NVS brackets and aluminium NV brackets, rails and associated rail-to-bracket fixings are non-combustible and, therefore, are classified as Class A1<sup>(1)</sup> in accordance with the national Building Regulations and are not subject to any restriction on building height or proximity to boundaries.

(1) In line with European Commission Decision 96/603/EC, 4<sup>th</sup> October 1996.

7.2 The support systems are classified as 'non-combustible' and are not subject to any restriction on building height or proximity to boundaries.

7.3 Aluminium NV Brackets feature polypropylene isolator/thermal breaks, used for isolation and to reduce the risk of thermal bridging across the bracket/wall interface. They are largely protected by the cladding panels and, considered to be present in relatively small quantities, are unlikely to significantly affect the overall fire performance of the cladding.

7.4 Designers should refer to the relevant national Building Regulations and guidance for detailed conditions of use, particularly in respect of requirements for substrate fire performance, cavity barriers, service penetrations and combustibility limitations for other materials and components used in the overall wall construction, for example, thermal insulation or external cladding.

## 8 Drainage and ventilation

8.1 The systems, when incorporated in back-ventilated and drained cavity rainscreen cladding systems, will not have an adverse effect on the removal of water from the cavity by drainage and ventilation.

8.2 For the effective removal of moisture from the cavity, a minimum ventilation area of 5000 mm<sup>2</sup> per metre run of cladding must be provided at the building base point and at the roof edge. To prevent the ingress of birds, vermin, insects and/or rain, all ventilation openings should be suitably protected with a ventilation protection mesh, perforated sheet or similar, or should be baffled.

8.3 The air space between the back of the cladding panels and the supporting wall (or insulation where installed within the cavity) should be as wide as possible, allowing for normal building tolerances. Guidance on recommended cavity widths is given in *NHBC Standards 2021*, Chapter 6.9, Clause 6.9.18 *Rainscreen Cladding*.

8.4 The ventilation pathways behind the cladding must not be allowed to become blocked, or the insulation dislodged, where it may be vulnerable to wetting.

8.5 The aluminium and stainless steel components are non-toxic during fabrication and in normal use and, as they are non-combustible, do not produce toxic effects when exposed to fire.

## 9 Maintenance

The systems are confined behind the cladding panels and do not require special maintenance.

## 10 Durability



10.1 The systems, when used as prescribed in this Certificate, can be expected to have a service life in excess of 35 years in normal UK conditions.

10.2 Aluminium NV brackets should be used with polypropylene isolator/thermal breaks (supplied with the brackets) when used with cement based materials or where there is a risk of bi-metallic contact. Unprotected aluminium interacts with these materials, resulting in severe corrosion.

## 11 Reuse and recyclability

The components contain polypropylene, aluminium, and stainless steel, all of which can be recycled.

### Installation

## 12 General

12.1 The systems must be installed in accordance with the manufacturer's recommendations, the requirements of this Certificate, and any specifications laid down by the project consulting engineer or designer.

12.2 The Certificate holder can provide technical assistance at the design stage, and installation assistance at the start of the installation.

## 13 Procedure

13.1 Based on a preliminary survey of the wall and architectural/structural design, a grid layout for the sub-frame is first prepared.

13.2 The brackets (with isolator pad, if required) are fixed to the substrate wall using stainless steel fixings of an appropriate size as determined by design (see sections 1.4, 1.5, 6.2 and 6.4).

13.3 The rails are inserted into the brackets and, after adjustment for line and level, fixed to the brackets using self-drilling stainless steel screws, as determined by design.

13.4 The rails are normally attached to the substrate wall to span one storey height. They are normally anchored at mid-span using the round holes on the brackets (fixed point/dead loads), and allowed to expand at the ends using the elongated holes on the brackets (flexible point).

13.5 Where specified, insulation should be tightly butted around the brackets and secured to the substrate wall using the appropriate fixings.

13.6 Where required to protect the substrate wall or insulation from wind-driven rain, an appropriate vapour permeable membrane should be applied to the surface. Guidance on recommended vapour control is given in *NHBC Standards 2021*, Chapter 6.9, Clause 6.9.9 *Damp proofing and vapour control*.

13.7 Cladding panels (outside the scope of this Certificate) deemed to be compatible with the systems are appropriately fixed to the vertical or horizontal rails.

### Technical Investigations

## 14 Tests

Tests were carried out and the results assessed to determine:

- bracket ultimate limit strength
- deflection under horizontal and vertical loads.

## 15 Investigations

15.1 The manufacturing process was evaluated, including the methods adopted for quality control, and details were obtained of the quality and composition of the materials used.

15.2 An assessment was made of the systems' resistance to wind loading based on calculations to BS EN 1999-1-3: 2007, durability and behaviour in relation to fire.

15.3 Based on a user survey and a visit to a site installation, an assessment was made of the systems' practicability of installation and performance in use.

## Bibliography

BS 5250 : 2011 + A1 2016 *Code of practice for control of condensation in buildings*

BS EN 573-3 : 2019 *Aluminium and aluminium alloys — Chemical composition and form of wrought products — Part 3: Chemical composition and form of products*

BS EN 1990 : 2002 + A1: 2005 *Eurocode — Basis of structural design*

NA to BS EN 1990 : 2002 + A1 : 2005 *UK National Annex for Eurocode — Basis of structural design*

BS EN 1991-1-4 : 2005 + A1 : 2010 *Eurocode 1: Actions on structures — General actions — Wind actions*

NA to BS EN 1991-1-4 : 2005 + A1 : 2010 *UK National Annex to Eurocode 1 — Actions on structures — General actions — Wind actions*

BS EN 1993-1-4 : 2006 + A1 :2015 *Eurocode 3. Design of steel structures. General rules. Supplementary rules for stainless steels*

NA + A1 :15 to BS EN 1993-1-4 : 2006 + A1 : 2015 *UK National Annex to Eurocode 3: Design of steel structures.. General rules. Supplementary rules for stainless steels*

BS EN 1999-1-1 : 2007 + A2 : 2013 *Eurocode 9 Design of aluminium structures — General structural rules*

NA to BS EN 1999-1-1 : 2007 + A1 : 2009 *UK National Annex to Eurocode 9 — Design of aluminium structures — General structural rules*

BS EN 1999-1-3 : 2007 + A1: 2011 *Eurocode 9 — Design of aluminium structures — Structures susceptible to fatigue*

NA to BS EN 1999-1-3 : 2007 + A1 : 2011 *UK National Annex to Eurocode 9 — Design of aluminium structures — Structures susceptible to fatigue*

BS EN ISO 9001 : 2015 *Quality management system — Requirements*

BS EN 10088-2 : 2014 *Stainless steels Part 2: Technical delivery conditions for sheet/plate and strip of corrosion resisting steels for general purposes*

EAD 090062-00-0404 : 2018 – *Kits for external wall claddings mechanically fixed*

EOTA TR055 : 2018 *Design of fasteners based on EAD 330232-00-0601*

### 16 Conditions

#### 16.1 This Certificate:

- relates only to the product/system that is named and described on the front page
- is issued only to the company, firm, organisation or person named on the front page – no other company, firm, organisation or person may hold or claim that this Certificate has been issued to them
- is valid only within the UK
- has to be read, considered and used as a whole document – it may be misleading and will be incomplete to be selective
- is copyright of the BBA
- is subject to English Law.

16.2 Publications, documents, specifications, legislation, regulations, standards and the like referenced in this Certificate are those that were current and/or deemed relevant by the BBA at the date of issue or reissue of this Certificate.

16.3 This Certificate will remain valid for an unlimited period provided that the product/system and its manufacture and/or fabrication, including all related and relevant parts and processes thereof:

- are maintained at or above the levels which have been assessed and found to be satisfactory by the BBA
- continue to be checked as and when deemed appropriate by the BBA under arrangements that it will determine
- are reviewed by the BBA as and when it considers appropriate.

16.4 The BBA has used due skill, care and diligence in preparing this Certificate, but no warranty is provided.

16.5 In issuing this Certificate the BBA is not responsible and is excluded from any liability to any company, firm, organisation or person, for any matters arising directly or indirectly from:

- the presence or absence of any patent, intellectual property or similar rights subsisting in the product/system or any other product/system
- the right of the Certificate holder to manufacture, supply, install, maintain or market the product/system
- actual installations of the product/system, including their nature, design, methods, performance, workmanship and maintenance
- any works and constructions in which the product/system is installed, including their nature, design, methods, performance, workmanship and maintenance
- any loss or damage, including personal injury, howsoever caused by the product/system, including its manufacture, supply, installation, use, maintenance and removal
- any claims by the manufacturer relating to CE marking.

16.6 Any information relating to the manufacture, supply, installation, use, maintenance and removal of this product/system which is contained or referred to in this Certificate is the minimum required to be met when the product/system is manufactured, supplied, installed, used, maintained and removed. It does not purport in any way to restate the requirements of the Health and Safety at Work etc. Act 1974, or of any other statutory, common law or other duty which may exist at the date of issue or reissue of this Certificate; nor is conformity with such information to be taken as satisfying the requirements of the 1974 Act or of any statutory, common law or other duty of care.